



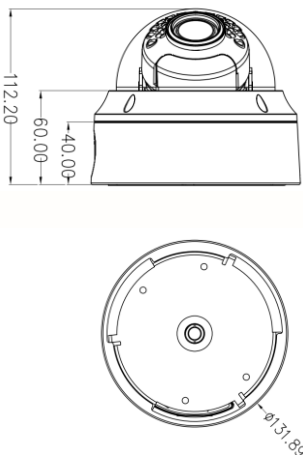
## AHD 4MP Vandal Resistant Dome Camera

### Features

- 1/3" 4MP CMOS sensor
- Up to 300m coax cable transmission
- Enhancements: WDR, 2D NR, BLC, highlight suppression
- Adjustable IR to avoid over-exposure
- Multi-lingual OSD menu



### Dimensions



### Specifications

Model	AF4-V54W
<b>CAMERA</b>	
Image Sensor	1/3" 4MP CMOS sensor
Effective Pixel	2688 (H) x 1520 (V)
Frame Rate	25/30fps
Video Output	1.0Vp-p composite video, 75Ω
Min. Illumination	0.0 lux (IR on)
IR Range	25m
Sync System	Internal
Scan System	Progressive scan
Lens	2.8 - 12mm
Angle of View	Horizontal: 32° ~ 86° ; Vertical: 19° ~ 41°
Electronic Shutter	Auto / manual (1/30 - 1/50000) / FLK
<b>CONTROL</b>	
Video Adjustment	Brightness, sharpness
White Balance	ATW / AWC-SET / AWB / indoor / outdoor / manual
Noise Reduction	2D NR / off
Digital WDR	Auto / on / off
Video Compensation	BLC / HLC / off
Auto Gain Control	Auto / on / off
Day / Night Mode	Auto / B/W / color
Orientation	Mirror / upside down / 180° rotation
<b>MISCELLANEOUS</b>	
Environmental Protection	IP67, IK10
Operating Environment	-20 ~ 55°C / 90% relative humidity (no condensation)
Power Supply	DC12V, 6W
Dimensions (mm)	112 (H) x Φ132 (D)
Weight	830g
Accessories	CC-WL0V5, CC-DP0V5



#### WAMA Technology Limited

Unit 502, 5/F, Block B, Wing Kut Industrial Building,  
608 Castle Peak Road, Kowloon, Hong Kong.

Tel : (852) 3703 9260

Fax : (852) 3705 0053

Email : info@wamatech.co

Website : www.wamatech.co