

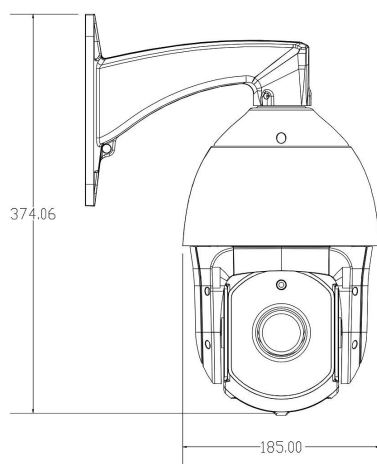


Features

- 1/3" 2MP Sony CMOS Sensor
- 33x Optical Zoom
- Resolution: 1080p
- Day/Night (ICR), DNR (2D&3D), Auto iris, Auto focus, AWB
- Max. 200°/s pan 180°/s tilt speed
- Up to 128 presets
- Pan: 360° endless rotation, Tilt: 90° with auto flip
- 10pcs 3rd Array IR LEDs Up to 120M

Dimension

Unit: mm



Specifications

MODEL		AF6132
VIDEO	IMAGE SENSOR	1/3" 2MP Sony CMOS Sensor
	RESOLUTION	1080p 25/30fps
	MINIMUM ILLUMINATION	Color: 0.1lux, BW: 0.01lux
	LENS	33x optical zoom f =4.6mm-152mm
	VIEW ANGLE	66.1° (W) ~2.46° (T)
	S/N RATIO	≥50dB
	VIDEO OUTPUT	AHD
	IR LED	10pcs 3 rd Array IR LEDs Up to 120M, Constant current control
Function	OSD MENU	Built-in
	D/N MODE	Manual / Auto
	DNR	Auto / Off / Low / Middle / High
	HLC	Off / On
	DEFOG	Off / On
	IRIS	Auto
	WHITE BALANCE	Auto
	OPERATION ANGLE	Pan 0°~360° with continuous rotation; tilt 0°~90°
	MANUAL SPEED	Pan: 0.1°~200°/s; Tilt: 0.1°~180°/s
	PRESET SPEED	200°/s
	PRESET	128 Presets
	SCAN / TOUR / PATTERN	4 Scans, 4 Tours, 4 Patterns
	DISPLAY ZONE	8 programmable zones
	PROTOCOLS	Pelco-P/D (fully compatible) / COC
COMMUNICATION	RS485 (Baud rate 2400 / 4800 / 9600 / 19200bps)	
POWER	VOLTAGE	24VDC
	MAX. RATING	30W
OPERATING ENVIRONMENT	AMBIENT TEMPERATURE	-20°C ~ 60°C
	RELATIVE HUMIDITY	0%-95%
MECHANICAL DESIGN	PROTECTION GRADE	4000V Lighting-proof and Surge-proof
	WEATHER PROOF STANDARD	IP66
	WEIGHT	3.5kg

TeleEye Group
 Hong Kong China Malaysia Philippines
 South Africa Sri Lanka Turkey U.K.

DISTRIBUTED BY:

www.TeleEye.com